

1.35 to 2.7GHz – Dual Junction Drop in Circulator

Design Features

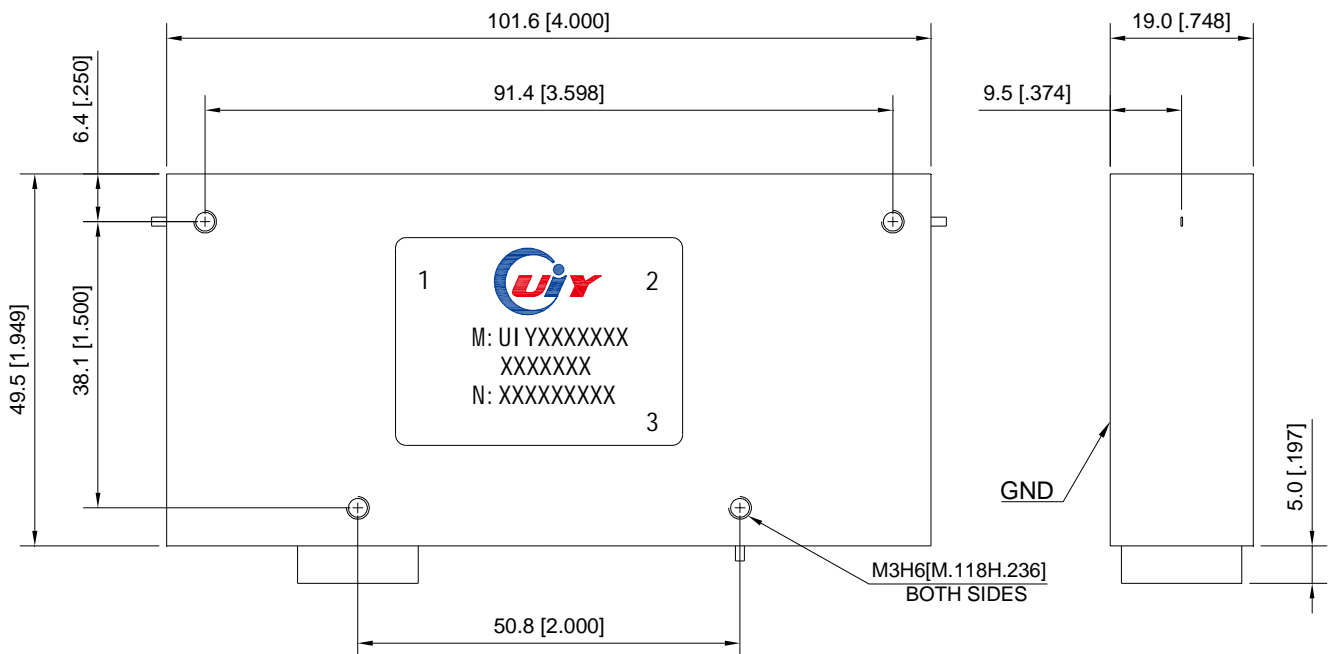
- ◆ Can be in Dual Junction or Multi-Junction for higher isolation.
- ◆ High RF performance, ultra-competitive price.
- ◆ Military, space and commercial applications.
- ◆ Custom design available upon request.
- ◆ Support one year standard warranty.

RF Characteristics

Model Number	Freq. Range (GHz)	Insertion Loss (1-2) Max(dB)	Isolation (2-1) Min(dB)	VSWR Max	Forward Power(W)	Reverse Power(W)	Connector Type	Temp.(°C)
UIYBDC10149A135T27	1.35 ~ 2.7	1.0	36	1.3	100	100	TAB	0 ~ +70

- ² Listed are specific frequency ranges and tailor-made ranges are available.
² Please provide the information below when inquiring and mark * is required.
 * 1. The specific frequency ranges
 * 2. Power handling (Forward, Reverse, Peak, etc.)
 3. Other special requests (Insertion Loss, Isolation, VSWR, Temperature, Dimension etc.)

Mechanical Drawing



Unit: mm/ inch, General part tolerance is ±2% unless otherwise stated.

Ver. 5.1